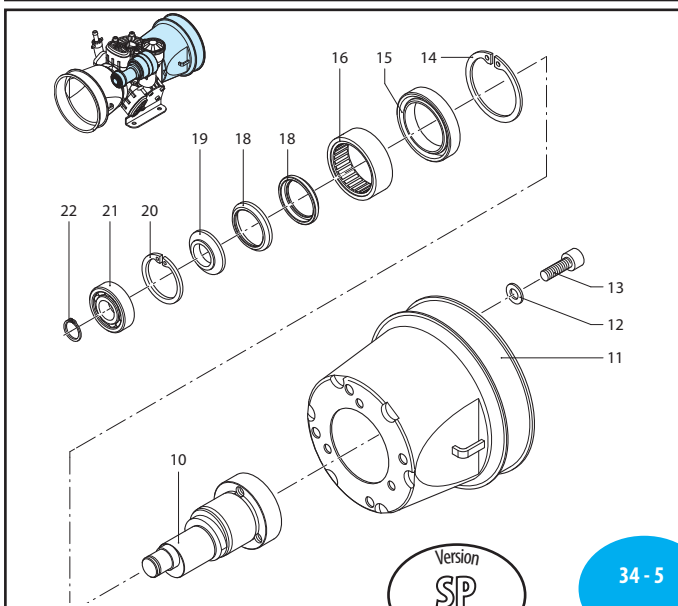
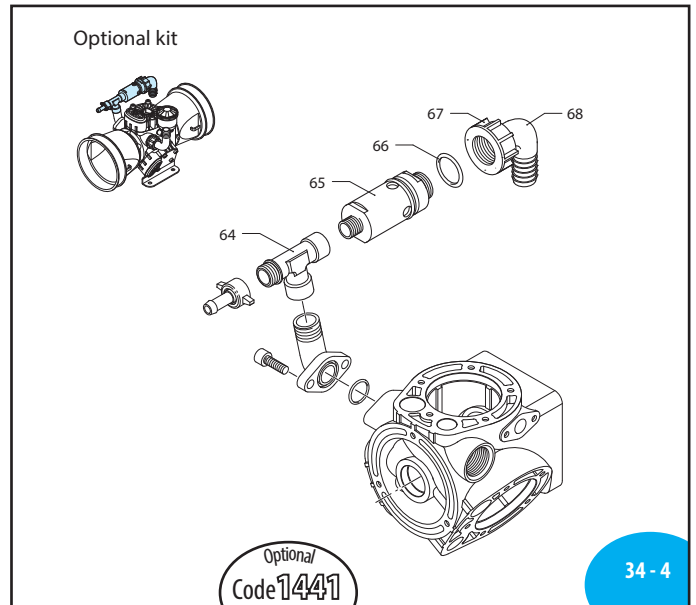
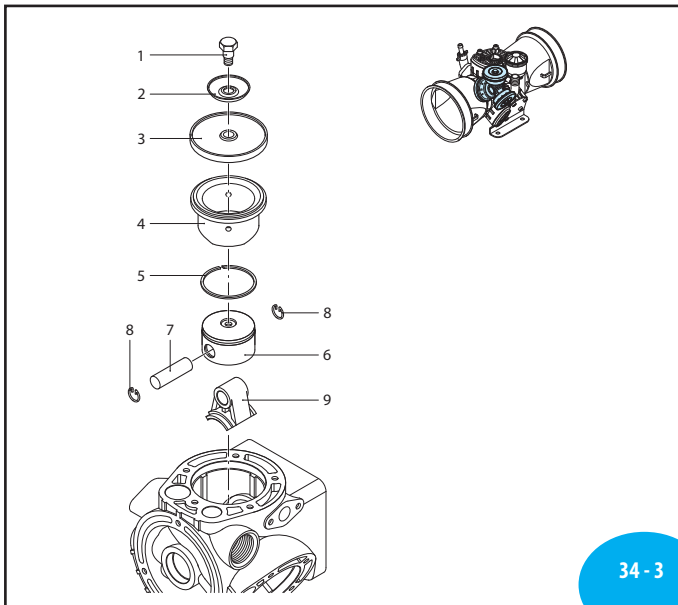
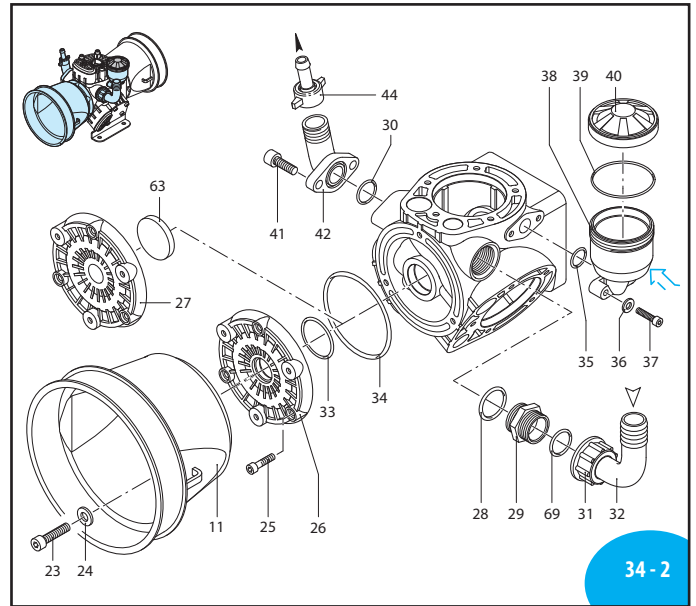
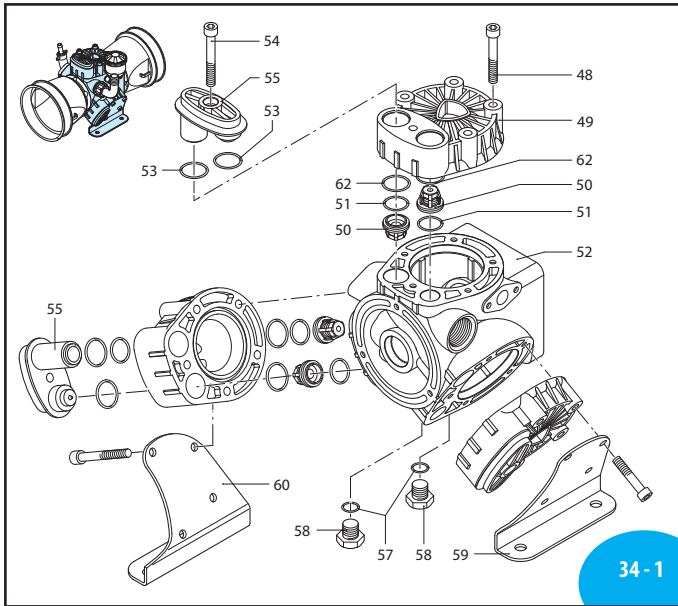


A.R. NORTH AMERICA

AR 303 - AR 403



AR 303 - AR 403

Pos	Code	Discription	Qty	Note
1	800090	Hub pin	3	T180*
	800091	Hub pin	3	Viton T180*
2	800350	Wobble plate	3	
3	800080	Diaphragm	3	NBR
	800081	Diaphragm	3	Viton
	800085	Diaphragm	3	Desmopan
	800086	Diaphragm	3	HPDS
	800082	Diaphragm	3	BlueFlex™
4	1880440	Sleeve	3	AR 403 Viton
	1880441	Sleeve	3	AR 303 Viton
	1880050	Sleeve	3	AR 403
	1880051	Sleeve	3	AR 303
5	1880110	Piston ring	3	
6	1880060	Piston	3	Ø 50
7	1880120	Pin	3	
8	380080	Ring	6	circlip Øi 14
9	1880070	Connecting-rod	3	
10	1880101	Shaft	1	marked 2 AR 303
	1880100	Shaft	1	marked 1 AR 403
11	1500350	Shield	1	
12	900270	Washer	4	
13	820670	Screw	4	T90*
14	620330	Ring	1	circlip Øi 65
15	620130	Ring	1	seal
16	550060	Bushing	1	
17	1880190	Ring	1	seal
18	1880180	Ring	2	connecting rod
19	1880170	Spacer	1	
20	111120	Ring	1	circlip Øi 47
21	1461430	Bearing	1	
22	620291	Ring	1	circlip Øe 20
23	850250	Screw	3	T90*
24	380241	Washer	3	
25	780060	Screw	3	T90*
26	1880021	Line	1	suction
27	1880020	Line	1	suction
28	390290	O-ring	1	Ø 29x3
29	550340	Fitting	1	1" G M-M
30	550350	O-ring	1	Ø 23.81X2.62
31	550242	Ring nut	1	1" G

Pos	Code	Discription	Qty	Note
32	550370	Elbow	1	1"
33	390201	O-ring	1	for C/SP
34	1880130	O-ring	1	Ø 88.57x2.62
35	390180	O-ring	1	Ø 18.72x2.62
36	550331	Washer	2	
37	1200440	Screw	2	TCEI M6x35
38	1040310	Tank	1	
39	650920	O-ring	1	Ø 53.65x2.62
40	1040326	Plug	1	black
	1040324	Plug	1	red
41	540290	Screw	2	TCEI M8x25
42	450145	Flange	1	
42	450148	Flanged Adapter	1	straight
43	1880160	Shaft	1	marked 4 AR 403
44	110130	Ring nut	1	1/2"
45	621370	Coupling	1	
46	961340	Washer	1	
47	680350	Screw	1	TCEI M8x35
48	800860	Screw	12	TCEI M8x55
49	1880030	Head	3	
50	1889051	Complete valve	6	
51	1140450	O-ring	6	Ø 20.24x2.62
52	1880010	Pump body	1	
53	1880480	O-ring	6	Ø 25x2
54	280080	Screw	3	TCEI M8x60
55	1880040	Cover	3	
57	740290	O-ring	2	Ø 14x1.78
58	880530	Plug	2	3/8" G
59	1880080	Foot	1	
60	1880090	Foot	1	
61	620680	Key	1	
62	780050	O-ring	6	Ø 28.25x1.78
63	1880380	Oil seal	1	For SP version
64	1620450	Fitting	1	Optional
65	1609001	Safety valve	1	Optional
66	880831	O-ring	1	Ø 15.54x2.62
67	550450	Ring nut	1	3/4" G
68	550460	Elbow	1	3/4"
69	550350	O-ring	1	Ø 23.81X2.62

* Torque: in-lbs +/- 10%

Medium pressure

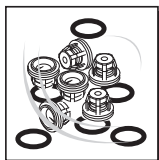


AR 43289
BlueFlex™ diaphragms

AR 43286
NBR diaphragms

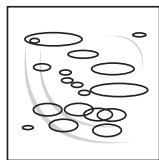
AR 43287
Desmopan diaphragms

Pos.	Qty
3	3
51	6
62	6



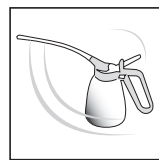
AR 2388
Valves

Pos.	Qty
50	6
51	6



AR 2389
O-Rings

Pos.	Qty
28	1
30	2
33	1
34	1
35	1
39	1
51	9
53	6
57	2
62	6



Suggested oil

Type	Oz
AR64532D	32

Crankcase Oil
Capacity 15 oz



Positioning
data plate