

SCOT

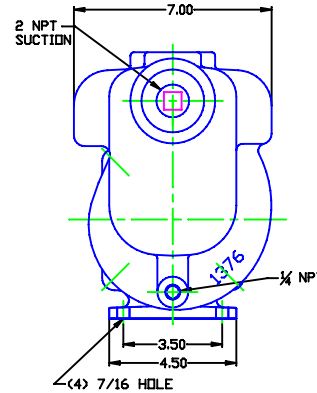
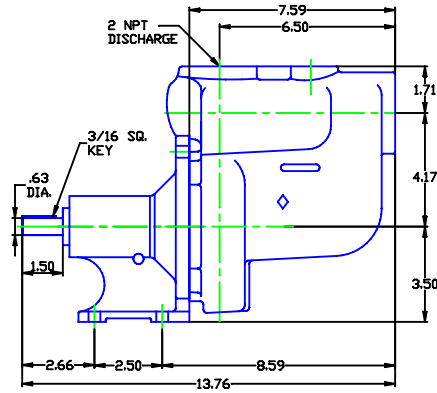
FRAMEPUMP™ — VARIABLE SPEED

FPH 74

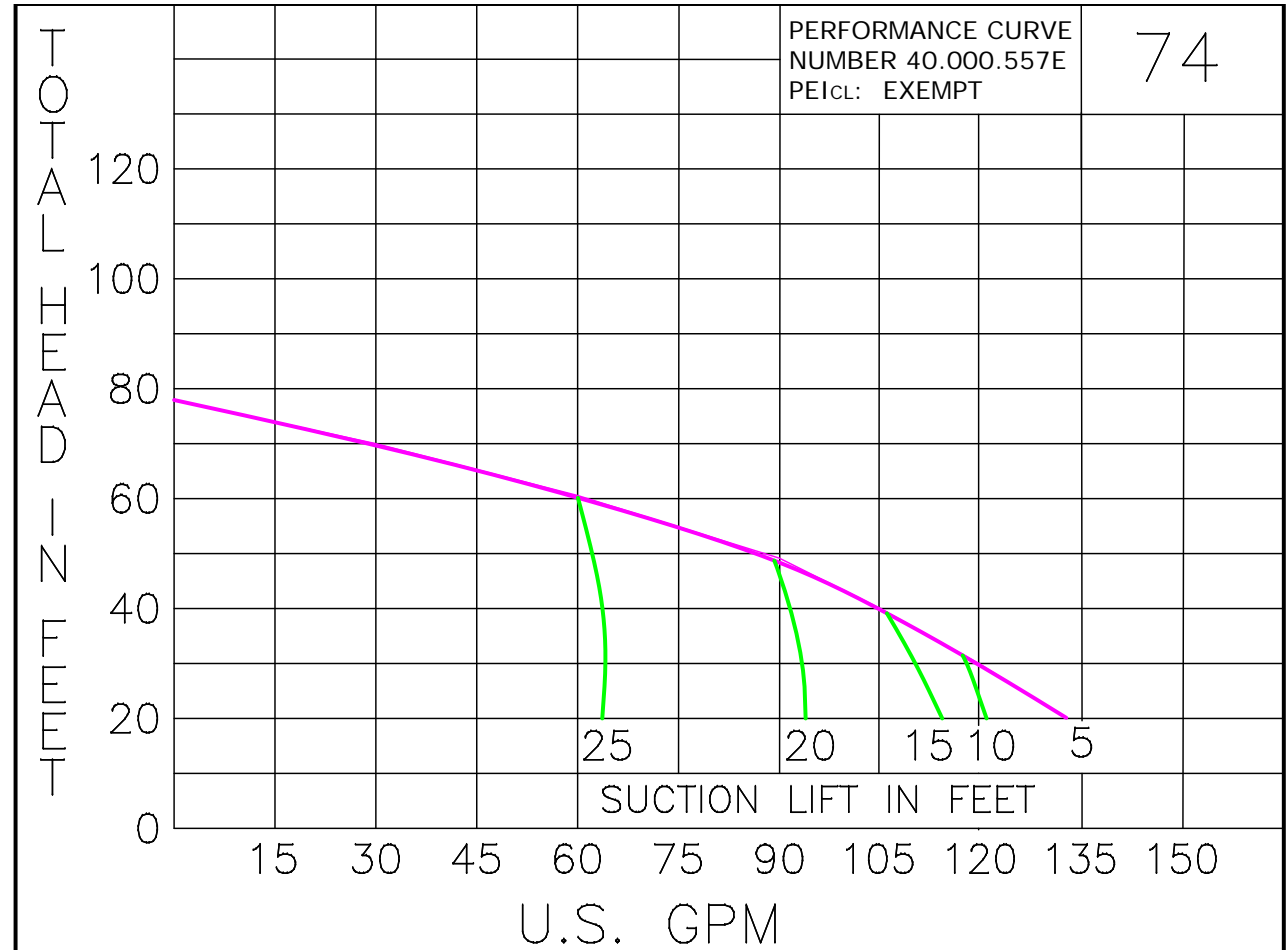
UNIT B

3280

5/8" SHAFT, 2 X 2 X 4.38 NPT



ALL DIMENSIONS IN INCHES



D074FPUNITB
074420 0743500

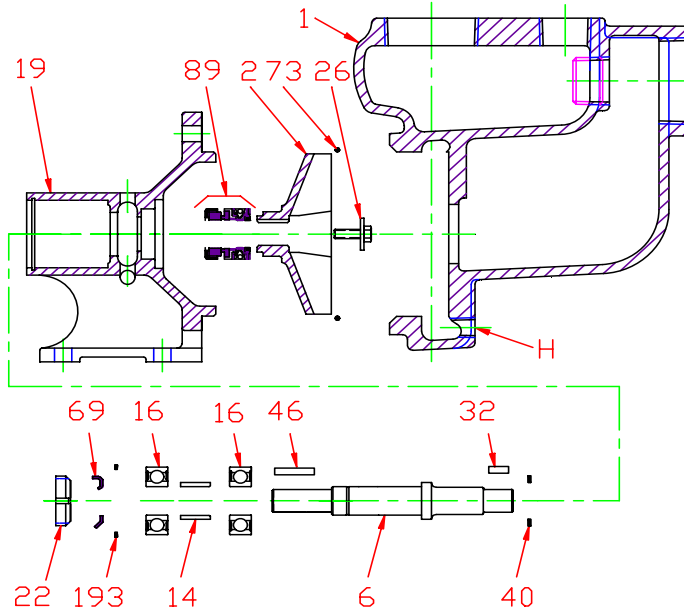
FPH 74

UNIT B

074420-A
81.001.296 M19

FPH 74 • Iron • 5/8" Shaft • Unit B

E074FP UNIT B.dwg



UK 12/99/24

KEY NO.	PART NAME	FPH 74
1	CASE, IRON, 2 x 2 NPT	130.000.239X
2	IMPELLER, 5/8" KEYED, SEMI-OPEN, 4.38" DIAMETER: IRON	131.000.266
26*	IMPELLER RETAINER	118.000.136
73*	GASKET, CASE	116.000.141
89*	3/4" SEALS: TYPE 6, VN-CARB/CM	101.000.115
	BERAING FRAME ASS'Y CONSISTING OF:	UNIT B 118.000.420X
6+	SHAFT, ASS'Y	135.000.231X
14*	SPACER	110.000.352
16*	BEARING (2 REQ;D)	103.000.158
19	FRAME	132.000.295
22	LOCKNUT	105.000.460
32*+	KEY	102.000.137
40*	FLINGER	137.000.629
46+	KEY	102.000.256
69	LOCKWASHER	104.000.242
193	RETAINER	102.000.105
--	REPAIR KITS: VN-CARB/CM SEAL	118.000.351

* DENOTES COMPONENTS INCLUDED IN REPAIR KIT.

+ DENOTES COMPONENTS INCLUDED IN SHAFT ASSEMBLY.

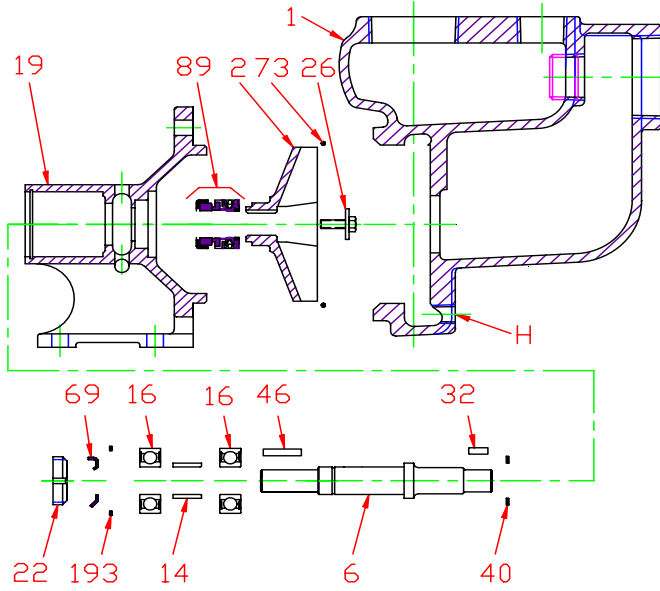
E074FPUNITB

E15

P074420-A

FPH 74 • Iron • 5/8" Shaft • Unit B

E074FP UNIT B.dwg



CONSTRUCTION OPTIONS		
KEY NO.	PART NAME	ALL IRON
1	Case	Iron
2	Impeller	Iron
6	Shaft, Ass'y	Stainless
14	Spacer	Steel
19	Frame	Iron
22	Locknut	Steel
26	Impeller Retainer	Stainless
32	Key	Stainless
40	Flinger	Neoprene
73	Gasket Case	BUNA
89	Mechanical Seal, Type 6 VN-CARB/CM	Standard
193	Retainer	Stainless
H	Plug, Drain	Plated Steel

E074FPUNITB

E15

C074420-A