

SCOT

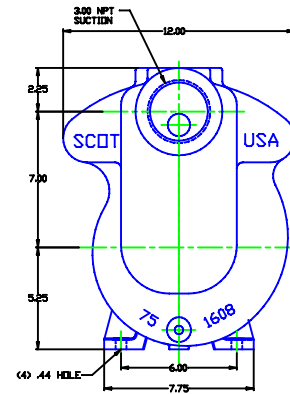
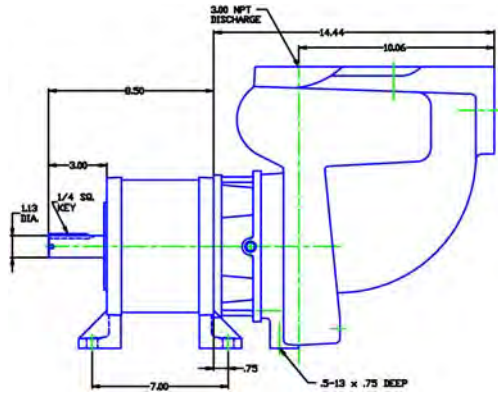
FRAMEPUMP™ — 3500 RPM

FPS 75

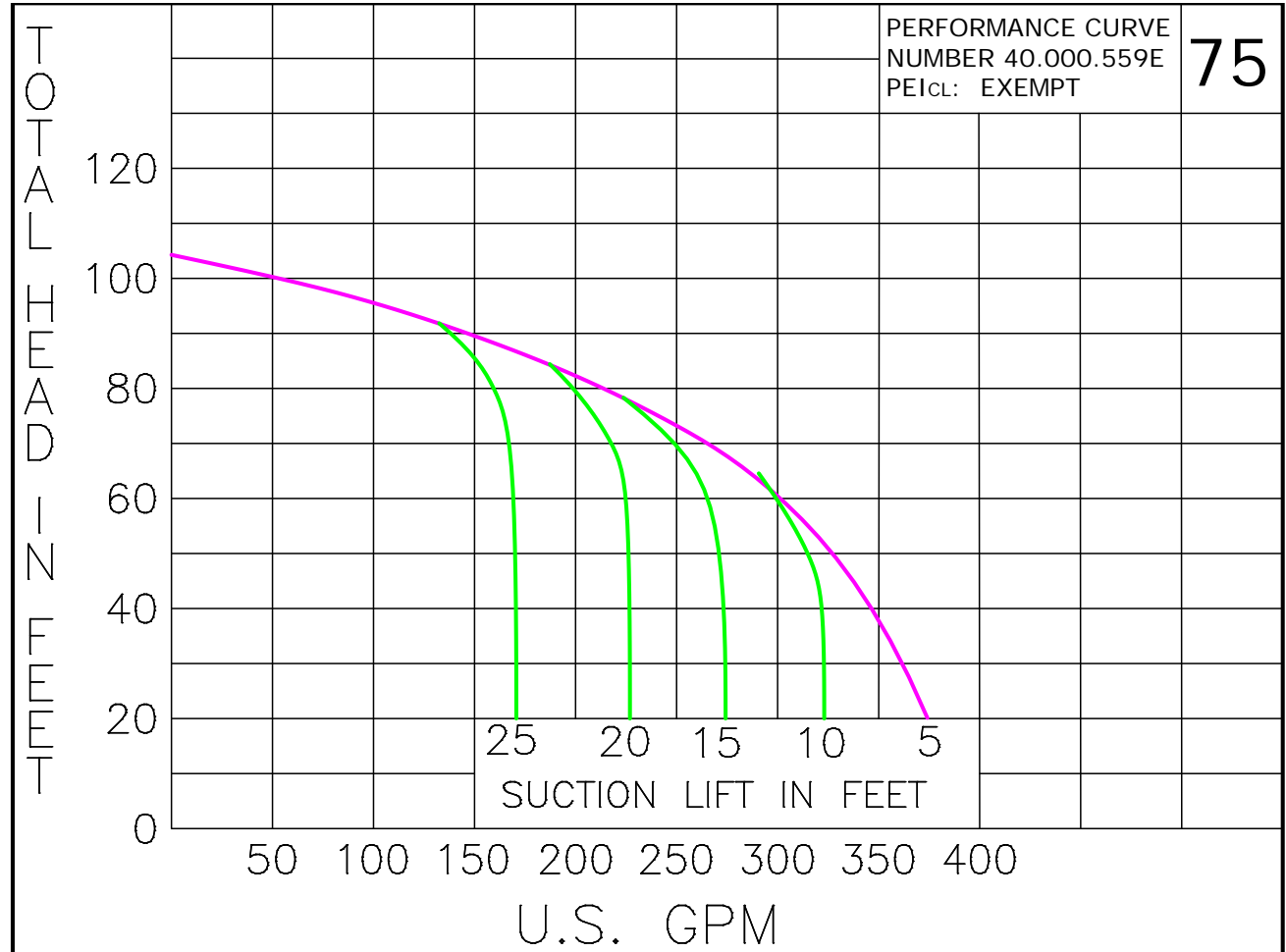
1 1/8" SHAFT, 3 X 3 X 5.5 NPT

JM140

3168



ALL DIMENSIONS IN INCHES



D075FPJM140
075JM140

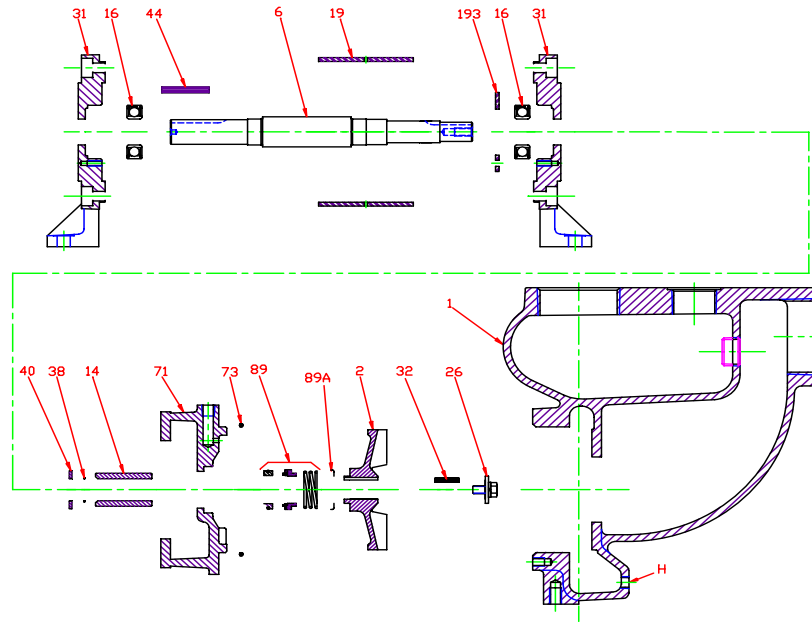
07573500

FPS 75

JM140

075JM140-A
81.001.297 M19

FPS 75 • Iron • 1 1/8" Shaft • JM140



KEY NO.	PART NAME	FPS 75
1	CASE, IRON, 3 x 3 NPT	130.000.295X
2	IMPELLER, 7/8" KEYED, ENCLOSED, 5.50" DIAMETER: IRON	131.000.304
14*	SHAFT SLEEVE, STAINLESS	110.000.192
26*	IMPELLER RETAINER, STAINLESS	118.000.597
38*	O-RING, SHAFT, VITON	116.000.105
40*	FLINGER	104.000.165
71	ADAPTER, IRON	132.000.194X1
73*	GASKET, CASE	116.000.146
89*	1½" SEALS: TYPE 21, VN-CARB/CM	101.000.191
89A*	SEAL RETAINER	104.000.202
	BEARING FRAME ASS'Y CONSISTING OF:	JM140 118.000.213X
6+	SHAFT, ASS'Y	135.000.180X
16	BEARING (2 REQ'D)	103.000.146
19	SHELL	110.000.231
31	END BRACKET (2 REQ'D)	132.000.232
32*+	KEY	102.000.102
44+	KEY	102.000.194
193	RETAINER	110.000.244
--	REPAIR KITS: VN-CARB/CM SEAL	118.000.527

* DENOTES COMPONENTS INCLUDED IN REPAIR KIT.

+ DENOTES COMPONENTS INCLUDED WITH SHAFT ASSEMBLY

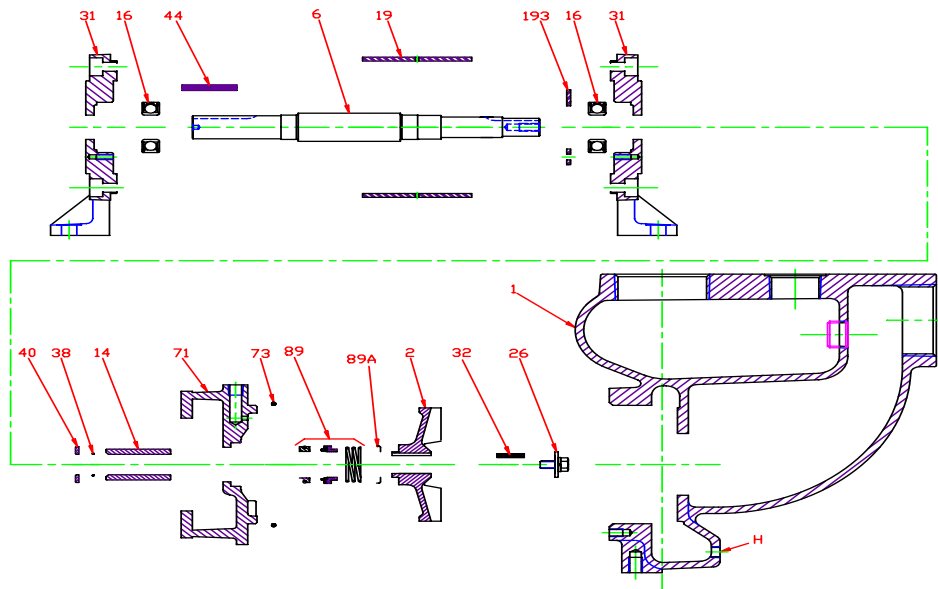
E075FPJM140

E15

P075JM140-A

FPS 75 • Iron • 1 1/8" Shaft • JM140

E075FP JM140.dwg



CONSTRUCTION OPTIONS		
KEY NO.	PART NAME	ALL IRON
1	Case	Iron
2	Impeller	Iron
6	Shaft Ass'y	Steel
14	Shaft Sleeve	Stainless
19	Shell	Iron
26	Impeller Retainer	Stainless
32	Key	Stainless
38	O-ring, Shaft	Viton
40	Flinger	Stainless
44	Key	Stainless
71	Adapter	Iron
73	Gasket, Case	BUNA
89	Mechanical Seal, Type 21 VN-CARB/CM	Standard
89A	Seal Retainer	Stainless
193	Retainer	Steel

E075FPJM140

C15

C075JM140-A