



# FILL-RITE®

PROUDLY MANUFACTURED BY TUTHILL

## H-SERIES TECHNICAL DATA SHEET

SERIES: FR1200, FR2400, FR4200, FR4400, FR600, SD1200, SD600

A series of fuel transfer pumps with UL/cUL certifications that are compatible with gasoline, diesel, fuel blends such as biodiesel up to 20% and gasoline with up to 15% ethanol, mineral spirits, and kerosene.

| PRODUCT PARTS | PRODUCT MATERIALS  |
|---------------|--|
| Pump Housing  | Cast Iron  |
| Rotor         | Powdered Iron  |
| Vane          | Sintered Bronze  |
| Strainer Mesh | Stainless Steel  |
| Wetted        | Buna-N, Fluorocarbon, Ceramic, Cork, Thermoset, Steel, Stainless Steel |

|                                |                            | DESCRIPTION | FR1200                                 | FR4200 | SD1200 | FR4400 | FR2400 | FR600             | SD600 |  |
|--------------------------------|----------------------------|-------------|--|--------|--------|--------|--------|-------------------|-------|--|
| MOTOR                          | VOLTAGE, SUPPLY (DC/AC)    |             | 12V DC                                 |        |        | 24V DC |        | 115V AC / 60HZ    |       |  |
|                                | POWER (HP)                 |             | 1/4 <sup>TH</sup>                      |        |        |        |        | 1/6 <sup>TH</sup> |       |  |
|                                | AMPS (FULL LOAD)           |             | 26                                     | 28     | 26     | 18     | 15     | 2.5               |       |  |
|                                | AMPS (RATED)               |             | 20                                     | 19     | 20     | 13     | 10     | 2.0               |       |  |
|                                | RPM                        |             | 2600 RPM                               |        |        |        |        | 2000 RPM          |       |  |
|                                | POWER CORD*                | LENGTH      | 18'                                    |        | 15'    | 18'    |        | NOT INCLUDED      |       |  |
|                                |                            | AWG         | 12                                     |        |        |        |        |                   |       |  |
|                                | DUTY CYCLE                 |             | 30 MINUTES (ON), THEN 30 MINUTES (OFF) |        |        |        |        |                   |       |  |
|                                | THERMAL PROTECTION (MOTOR) |             | YES                                    |        |        |        |        |                   |       |  |
| RECOMMENDED CIRCUIT PROTECTION |                            | 30 AMP      |  |        | 20 AMP |        | 15 AMP |                   |       |  |

\* Power cord not included in pump only models.

|          |                                 | DESCRIPTION                            | FR1200            | FR4200 | SD1200   | FR4400                                 | FR2400   | FR600 | SD600  |  |
|----------|---------------------------------|--|-------------------|--------|----------|--|----------|-------|--------|--|
| PUMP     | MAXIMUM GPM                     |  | 15                | 20     | 13       | 20                                     | 15       |       | 13     |  |
|          | BYPASS PRESSURE                 |  | 16 PSI            |        |          |  |          |       |        |  |
|          | MINIMUM DRY VAC                 |  | 5 IN-HG           |        |          |  |          |       |        |  |
|          | AT SEA LEVEL<br>70° F (21.1° C) | SUCTION LIFT                           | 8' MAXIMUM        |        |          |  |          |       |        |  |
|          |                                 | OUTLET HEAD                            | 37' MAXIMUM       |        |          |  |          |       |        |  |
|          | INLET                           |  | 1" NPT            |        |          |  |          |       |        |  |
|          | OUTLET                          |  | 3/4" NPT          | 1" NPT | 3/4" NPT | 1" NPT                                 | 3/4" NPT |       |        |  |
|          | MOUNT                           |  | 2" NPT INLET BUNG |        |          |  |          |       |        |  |
| WARRANTY |                                 | LIMITED LIFETIME WARRANTY <sup>†</sup> |                   |        | 1 YEAR   | LIMITED LIFETIME WARRANTY <sup>†</sup> |          |       | 1 YEAR |  |

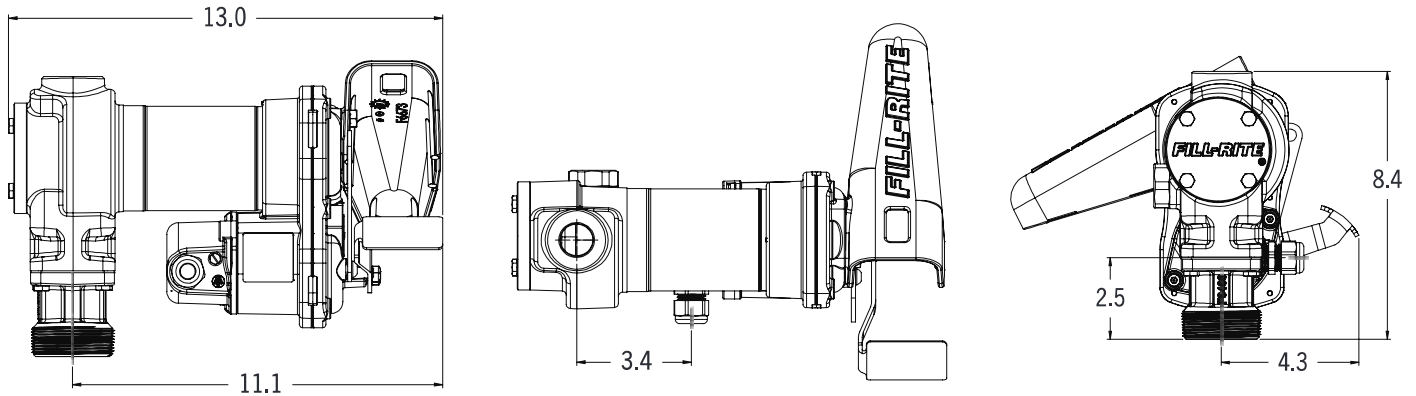
<sup>†</sup> Warranty details can be found at [fillrite.com](http://fillrite.com).

# H-SERIES MODEL INFORMATION: FR1200, FR2400, FR4200, FR4400, FR600, SD1200, SD600

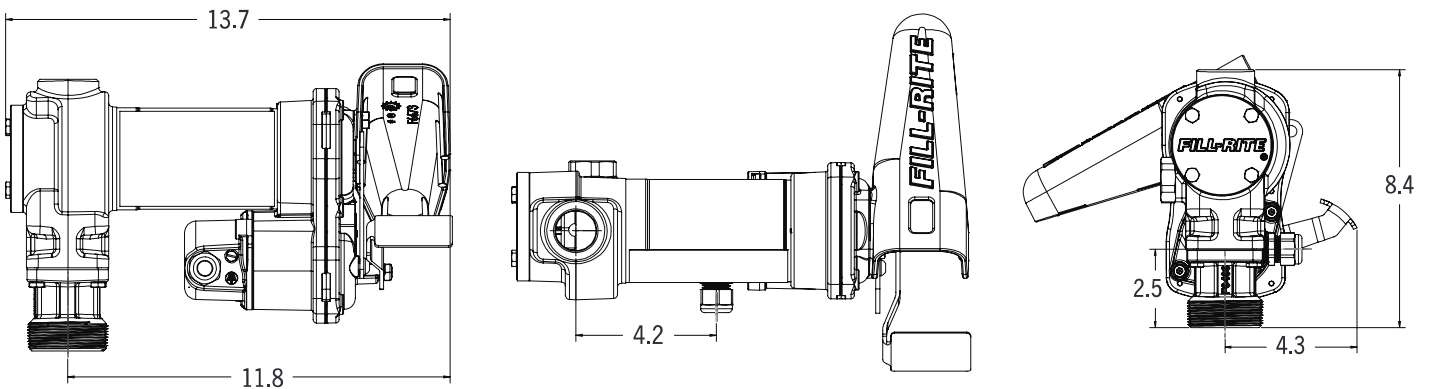
| MODEL NUMBER | NOZZLE          | HOSE   | METER  | INLET TUBE                           | POWER CORD    | SPECIAL                              | VOLTAGE       | OUTLET  |      |        |  |
|--------------|-----------------|--------|--------|--------------------------------------|---------------|--------------------------------------|---------------|---------|------|--------|--|
| FR1204H      | PUMP ONLY MODEL |        |        |                                      |               |                                      |               | 12V DC  | 3/4" |        |  |
| FR1210H      | MANUAL          | 12'    |        | METAL, TELESCOPING,<br>20" - 34 1/2" | 12 AWG AT 18' |                                      |               |         |      |        |  |
| FR1210HA     | AUTO GASOLINE   | 12'    |        |                                      |               |                                      |               |         |      |        |  |
| FR1210HA1    | AUTO DIESEL     | 12'    |        |                                      |               |                                      |               |         |      |        |  |
| FR1210HARC   | AUTO ARCTIC     | 15'    |        |                                      |               | SWIVEL                               |               |         |      |        |  |
| FR1210HN     |                 |        |        |                                      |               |                                      |               |         |      |        |  |
| FR1211H      | MANUAL          | 12'    | 807C   |                                      |               |                                      |               |         |      |        |  |
| FR1211HL     | MANUAL          | 12'    | 807CL  |                                      |               |                                      |               |         |      |        |  |
| FR1211HLN    |                 |        | 807CL  |                                      |               |                                      |               |         |      |        |  |
| FR1211HN     |                 |        | 807C   |                                      |               |                                      |               |         |      |        |  |
| FR1219H      | MANUAL          | 12'    | TT10AN |                                      |               |                                      |               |         |      |        |  |
| FR2404H      | PUMP ONLY MODEL |        |        |                                      |               |                                      |               |         |      | 24V DC |  |
| FR2410H      | MANUAL          | 12'    |        |                                      |               | METAL, TELESCOPING,<br>20" - 34 1/2" | 12 AWG AT 18' |         |      |        |  |
| FR2411H      | MANUAL          | 12'    | 807C   |                                      |               |                                      |               |         |      |        |  |
| FR2411HL     | MANUAL          | 12'    | 807CL  |                                      |               |                                      |               |         |      |        |  |
| FR4204H      | PUMP ONLY MODEL |        |        |                                      |               |                                      |               | 12V DC  | 1"   |        |  |
| FR4210H      | MANUAL          | 12'    |        | METAL, TELESCOPING,<br>20" - 34 1/2" | 12 AWG AT 18' |                                      |               |         |      |        |  |
| FR4210HARC   | AUTO ARCTIC     | 20'    |        |                                      |               | SWIVEL                               |               |         |      |        |  |
| FR4210HB     | ULTRA HI-FLOW   | 12'    |        |                                      |               |                                      |               |         |      |        |  |
| FR4210HD     | AUTO DIESEL     | 12'    |        |                                      |               |                                      |               |         |      |        |  |
| FR4210HDS    | AUTO DIESEL     | 12'    |        |                                      |               | SWIVEL                               |               |         |      |        |  |
| FR4210HBFQ   | ULTRA HI-FLOW   | 18'    |        |                                      |               | 10 AWG AT 25'<br>WITH CLAMPS         | FILTER        |         |      |        |  |
| FR4210HN     |                 |        |        |                                      | 12 AWG AT 18' |                                      |               |         |      |        |  |
| FR4211H      | MANUAL          | 12'    | 901C   |                                      |               |                                      |               |         |      |        |  |
| FR4211HL     | MANUAL          | 12'    | 901CL  |                                      |               |                                      |               |         |      |        |  |
| FR4211HLN    |                 |        | 901CL  |                                      |               |                                      |               |         |      |        |  |
| FR4211HN     |                 |        | 901C   |                                      |               |                                      |               |         |      |        |  |
| FR4219H      | MANUAL          | 12'    | TT10AN |                                      |               |                                      |               |         |      |        |  |
| FR4406H      | PUMP ONLY MODEL |        |        |                                      |               |                                      |               |         |      | 24V DC |  |
| FR4410H      | MANUAL          | 12'    |        |                                      |               | METAL, TELESCOPING,<br>20" - 34 1/2" |               |         |      |        |  |
| FR604H       | PUMP ONLY MODEL |        |        |                                      |               |                                      |               | 115V AC | 3/4" |        |  |
| FR610H       | MANUAL          | 12' UL |        | METAL, TELESCOPING,<br>20" - 34 1/2" |               |                                      |               |         |      |        |  |
| FR610HA      | AUTO GASOLINE   | 12' UL |        |                                      |               |                                      |               |         |      |        |  |
| SD1202H      | MANUAL          | 10'    |        | PVC, 15 1/4" - 29 1/4"               | 12 AWG AT 15' |                                      | 12V DC        |         |      |        |  |
| SD1202HA     | AUTO GASOLINE   | 10'    |        |                                      | 12 AWG AT 15' |                                      |               |         |      |        |  |
| SD602H       | MANUAL          | 12' UL |        | PVC, 15 1/4" - 43 1/4"               |               |                                      | 115V AC       |         |      |        |  |

# DIMENSIONAL DATA INFORMATION

FR1200, FR2400, FR4400, FR600, SD1200, and SD600 (Dimensions displayed in inches)

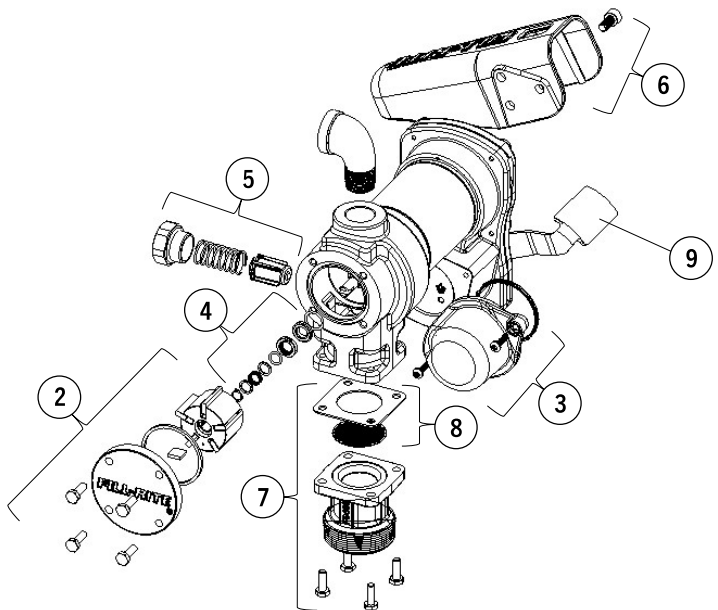


FR4200 (Dimensions displayed in inches)



# KIT INFORMATION

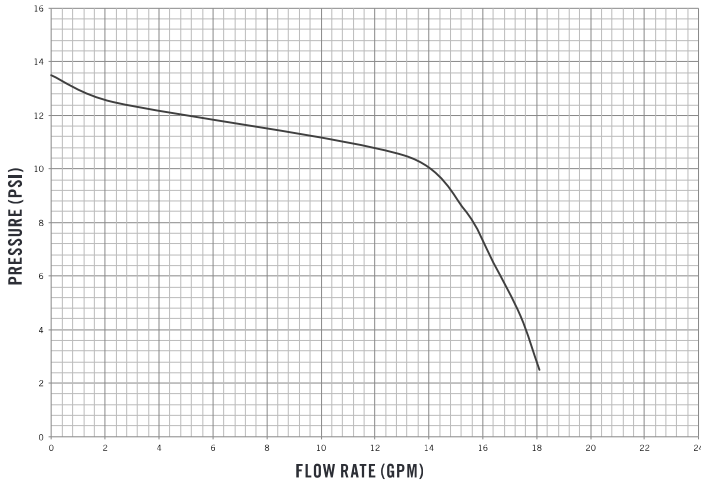
| # | Kit       | Description             | Parts   |
|---|-----------|-------------------------|---|
| 1 | KIT120BD* | BioDiesel Kit*          | O-ring seal, bypass valve poppet, bypass cap seal, inlet seal         |
| 2 | KIT120RGG | Rotor and Vane Kit      | Rotor cover, rotor, vanes, rotor key, O-ring seal, attaching hardware |
| 3 | KIT120JCH | Junction Cover Kit      | Junction cover, seal, fasteners                                       |
| 4 | KIT120SL  | Seal Kit                | O-ring, shaft seals, retainer clip                                    |
| 5 | KIT120BV  | Bypass Service Kit      | Bypass valve, valve spring, bypass cap, O-ring seal                   |
| 6 | KIT120NB  | Nozzle Boot Kit         | Nozzle boot, attaching hardware                                       |
| 7 | KIT120BG  | Inlet Flange Kit        | Inlet flange (bung), attaching hardware, inlet seal, screen           |
| 8 | KIT120SG  | Inlet Gasket and Screen | Gasket for inlet (bung) and screen                                    |
| 9 | KIT120SWH | Switch Lever Kit        | Switch lever, mounting hardware                                       |



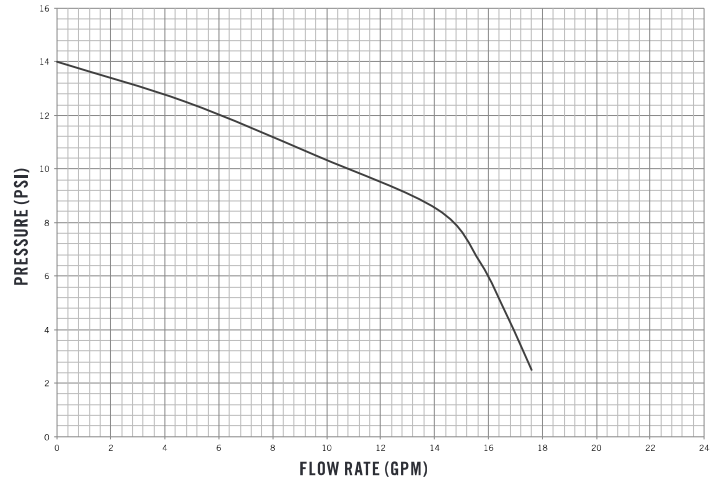
\*KIT120BD not called out in diagram to the right

# PERFORMANCE CURVES: FR1200, FR2400, FR4200, FR4400, and FR600 SERIES

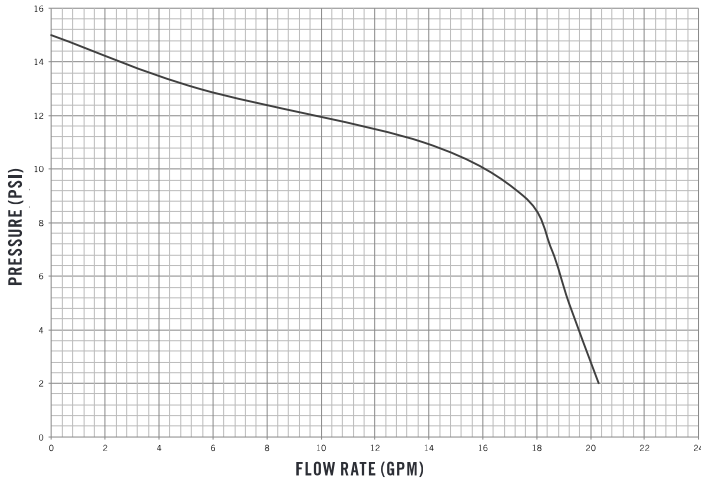
PERFORMANCE CURVE: 1200 SERIES (12V DC)



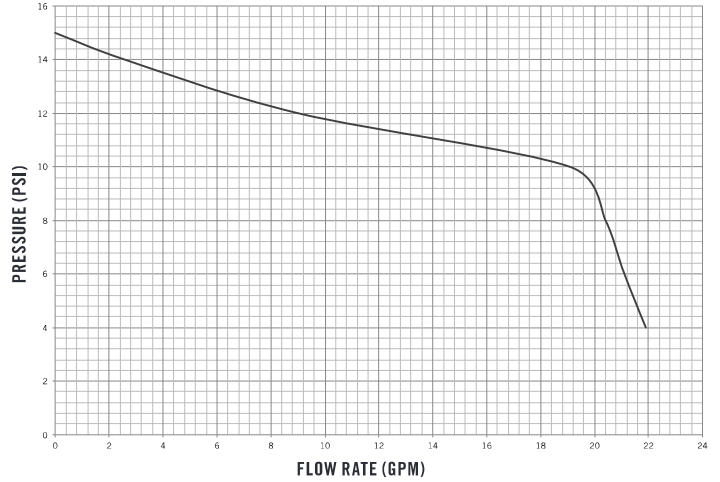
PERFORMANCE CURVE: 2400 SERIES (24V DC)



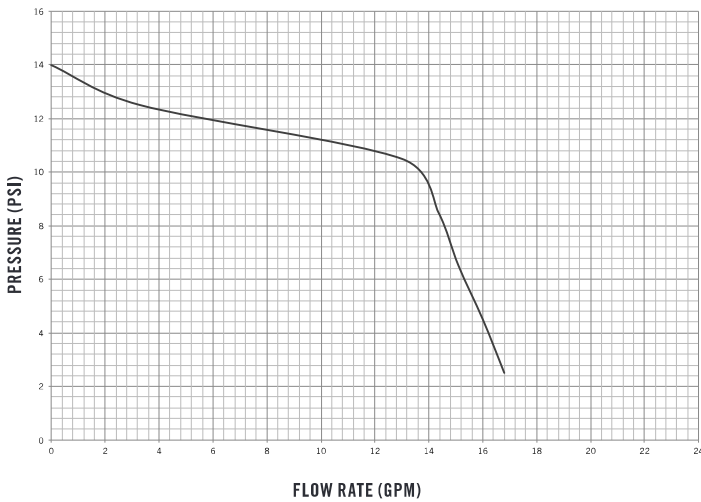
PERFORMANCE CURVE: 4200 SERIES (12V DC)



PERFORMANCE CURVE: 4400 SERIES (24V DC)



PERFORMANCE CURVE: 600 SERIES (115V AC)



FIL-BR-693



8825 Aviation Drive | Fort Wayne, Indiana 46809  
 P (800) 634-2695 or (260) 747-7524 | F (800) 866-4861  
[www.fillrite.com](http://www.fillrite.com)