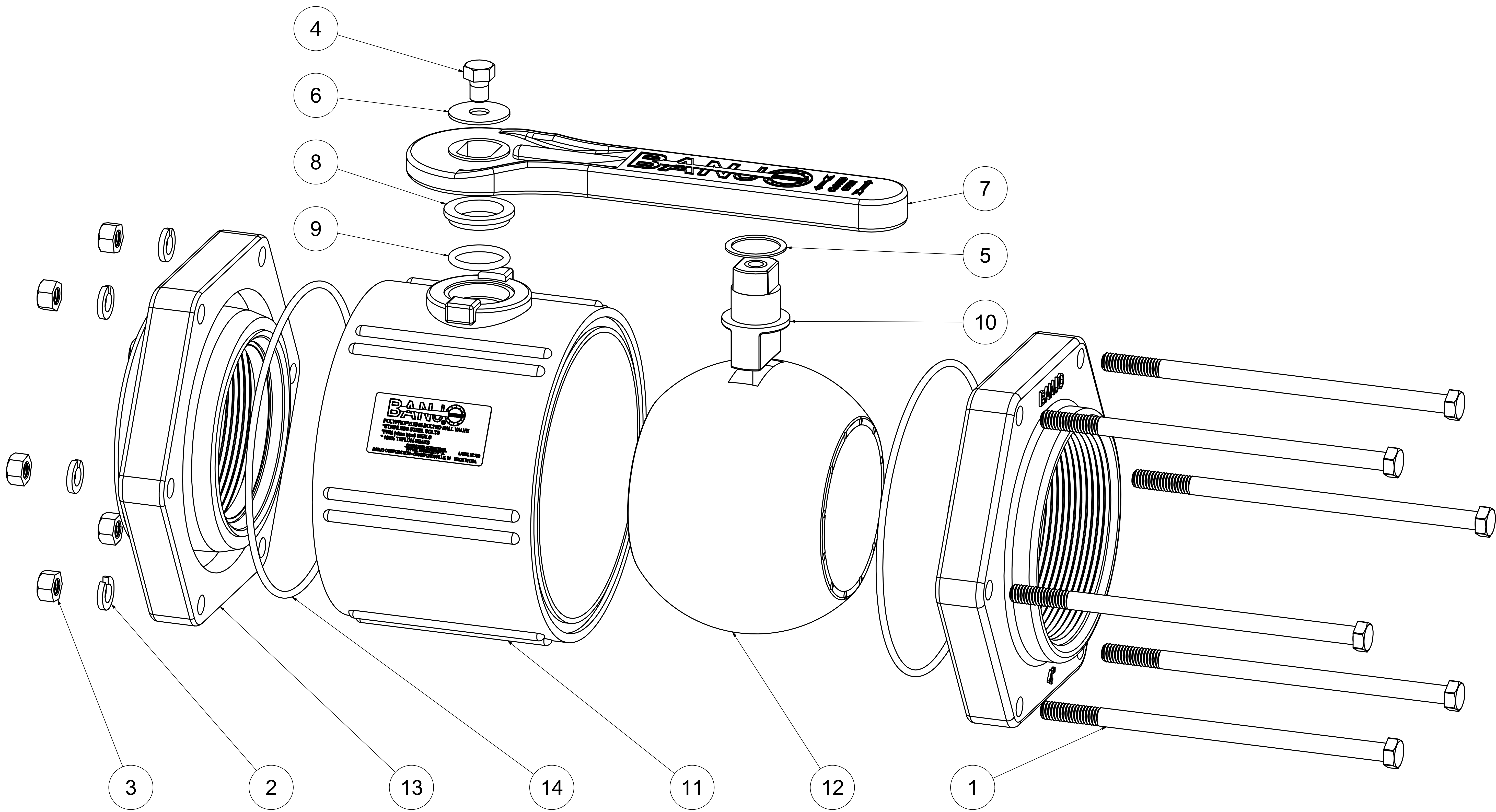


| Parts List | | | |
|------------|-----|-------------|---------------------------|
| ITEM | QTY | PART NUMBER | DESCRIPTION |
| 1 | 6 | V40017 | 4" Valve Body 3/8" Bolt |
| 2 | 6 | V20018 | 3/8" LOCKWASHER |
| 3 | 6 | V20019 | 3/8" HEX NUT |
| 4 | 1 | V25020 | 3/8" Handle Bolt |
| 5 | 1 | V25060 | VALVE STEM THRUST BEARING |
| 6 | 1 | V25121 | 3/8" Fender Washer |
| 7 | 1 | V25153 | 2" FP Handle |
| 8 | 1 | V25160 | Stem Bushing |
| 9 | 1 | V25163 | #214 FKM O'RING |
| 10 | 1 | V30151 | STEM 3" FP, 4" |
| 11 | 1 | V40254 | 4" Valve Body |
| 12 | 1 | V40255 | 4" Ball |
| 13 | 2 | V40264 | 4" Endplate |
| 14 | 2 | V40265 | Body O-ring for V400 |



THIS DRAWING AND ALL INFORMATION CONTAINED THEREON ARE THE EXCLUSIVE PROPERTY OF BANJO CORPORATION.

UNLESS SPECIFICALLY NOTED, THIS DRAWING AND ITEMS SHOWN ON THIS DRAWING ARE SUBJECT TO CHANGE AT ANY TIME.

| | |
|--|---------------|
| BANJO CORPORATION 150 BANJO DRIVE, CRAWFORDSVILLE, IN 47933 WEB SITE: WWW.BANJOCORP.COM E-MAIL: SALES1@BANJOCORP.COM | |
| DESCRIPTION | 4" Ball Valve |
| PART NUMBER | V400 |